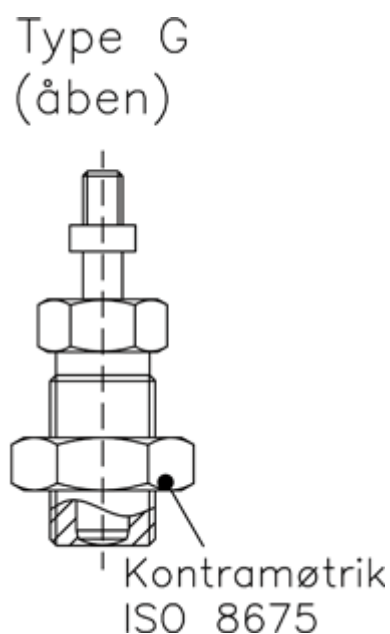
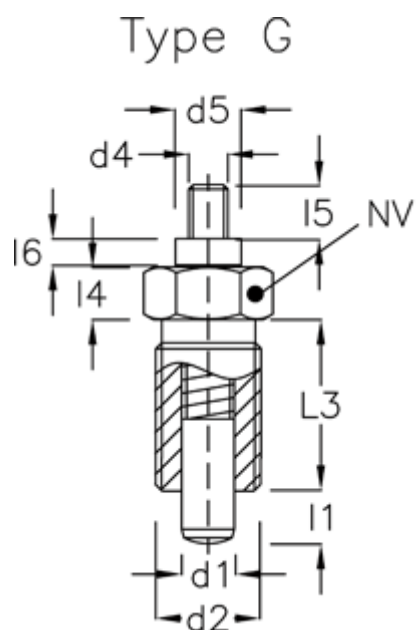


Article number: 20262014

Description: E+G

Indexing plunger GN 817-5-8-G

Measures



| | | |
|------------|--------------------------|--------|
| d1 = 5 | l6 | = 3.0 |
| d2 = M10x1 | NV | = 12 |
| d4 = M4 | Spring pressure N bottom | = 18.0 |
| d5 = 8 | Spring pressure N top | = 5.0 |
| l1 = 8 | | |
| l3 = 18 | | |
| l4 = 6 | | |
| l5 = 5.5 | | |